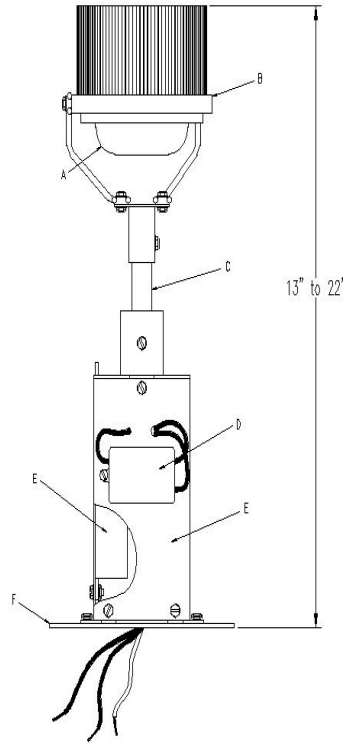


APPLICATION

The proven D4 LED Post Top Retrofit kit is a universal low cost replacement for high cost HID light sources in decorative post top fixtures. The D4 is designed to convert existing fixtures to meet LED lighting standards for post top fixtures. Other benefits include eliminating mercury, reducing carbon footprint, and removed light pollution for environmentally conscientious customers. This system has been thoroughly tested to the most demanding industry standards including LM-79, LM-80, In-Situ, TM-21, surge testing to UL 1449 3rd edition, vibration tested and more.

FEATURES

- A...** Superior optical light control for maximum performance and coverage.
- B...** High performance forged heat sink.
- C...** Telescoping and locking center post.
- D...** Standard 40kV series impedance balanced SPD - Surge Protection Device
- E...** Enclosed electronics and wiring. High performance Osram/Sylvania and Meanwel drivers. 480V available.
- F...** 6.5" or 8" mounting plate. Custom plates available.



D4 POST TOP RETROFIT

0-90 ZONE lumens

	3K	4K	5K
30W	3850	4095	4095
40W	4675	4970	4970
60W	6460	6870	6870
65WHO	7880	8320	8320
80W	8050	8555	8555

ADVANTAGES OF OUR HEAT SINK

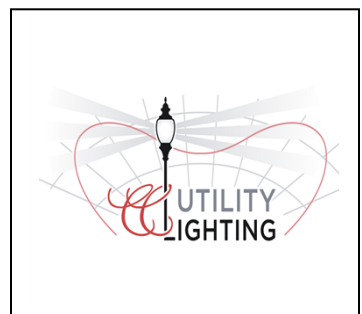
- 1...** Extreme surface area for maximum cooling.
- 2...** High performance aluminum for rapid heat transfer.
- 3...** Light weight for reduced costs and lower center-of-gravity.
- 4...** Uniform cooling, even in high temperature environments.

KEY BENEFITS

- Key benefits for the D4 include:
- True white light, large coverage area
 - Reduces energy consumption by up to 80%
 - Reduces labor costs by up to 75%
 - Mercury free and lead free (RoHS compliant)
 - Easy to install and service
 - 0-10 VDC dimming available
 - All tested and proven components for long life
 - The D4 Retrofit Kit comes with a 10 year warranty on 36 kV surge protected units and a 5 year warranty on 20 kV surge protected units.



D4	40	L	E	2	55	XX
Product Family	Wattage	Lamp Type	Ballast Type	Voltage	Distribution	Options
	30W	L = LED	E = Electronic	2 = 120V-277V	55 = Type V	PD = Prog driver
	40W			8 = 480V	33 = Type III	WH = paint white
	65W					3K = 3K Color temp
	80W					5K = 5K Color temp



SPECIFICATIONS

LISTING

IP66 Wet Location Rated Components
 Designed to UL1449 3rd Edition UL 1598

UL Drivers

Complies with IEEE C62.41

FCC Part 15 Class A

TESTING

InSitu Thermal

Energy Star TM-21

Surge & Transient Tested

100% Production Test and Inspection

IESNA LM-79

RATED LIFE

100,000+ Hours Rated System Life

80% Lumen Maintenance at 100,000 hours

ELECTRICAL

30w .25A, 40w .33A, 60w .5A, 80w .66A at 120 VAC

95% Power Factor Corrected

<20% Total Harmonic Distortion

-40C to +40C Ambient Operating Temp

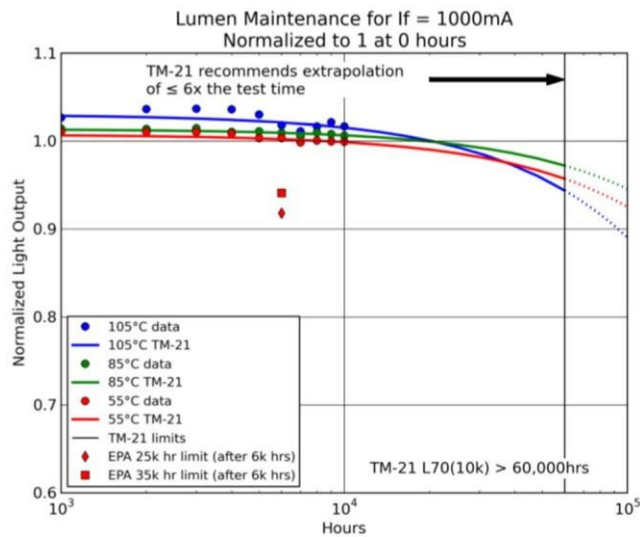
Universal 120-277 VAC

Thermal Overload Protected

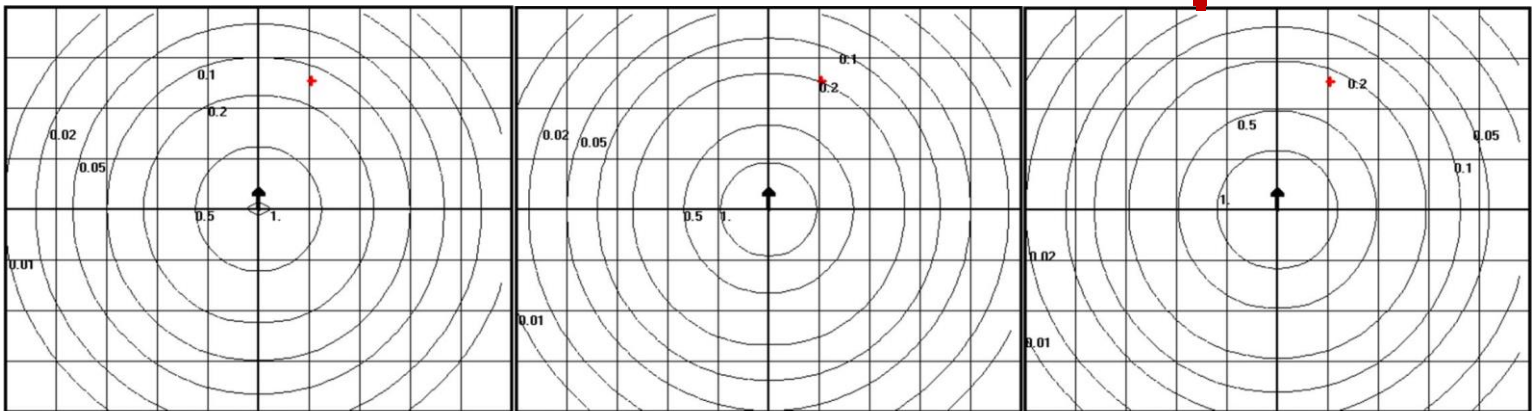
Electrical Short / Overload Protected



Approximate Net Wt: 8 lbs



PHOTOMETRICS



Mounting Height = 20'. Each box is one mounting height.

Mounting Height = 20'. Each box is one mounting height.

Mounting Height = 20'. Each box is one mounting height.

40 Watt Type V

60 Watt Type V

80 Watt Type V

CC Utility Lighting, Inc.